

Santa Express Train

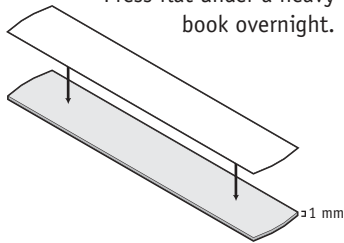
The CTA Holiday Train has been a holiday tradition in Chicago since 1991. The entire train consists of six decorated passenger cars with a flatbed car in the center carrying Santa and his reindeer.

The interiors of the L train cars are completely transformed with blinking lights, tinsel, and cartoon holiday ads. Even the upholstery on the seats features a holiday theme. Volunteers in the cars pass out candy canes to dazzled commuters and happy children who are waiting for that magical moment when Santa pulls into the station.

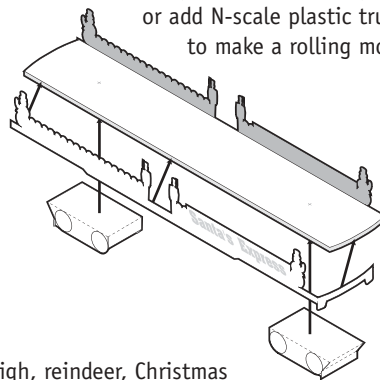
Let's hop on board!



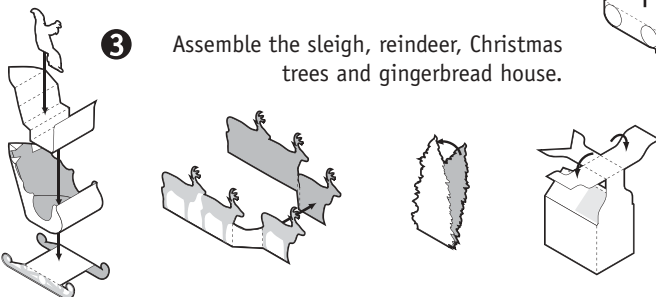
- 1** First cut out the floor of the flatbed car and glue it to a heavy piece of cardboard or mat board. Press flat under a heavy book overnight.



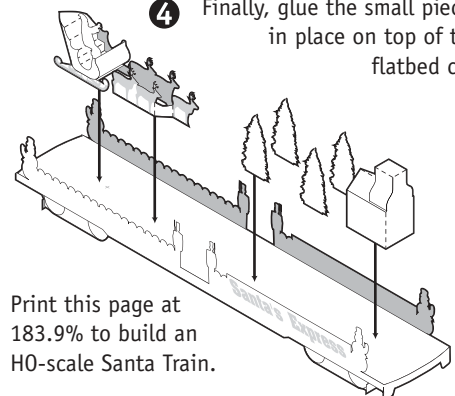
- 2** Next cut out the sides of the train car and glue along the edge of the floor. Fold and glue the wheels together, or add N-scale plastic trucks to make a rolling model.



- 3** Assemble the sleigh, reindeer, Christmas trees and gingerbread house.



- 4** Finally, glue the small pieces in place on top of the flatbed car.



Print this page at 183.9% to build an H0-scale Santa Train.

