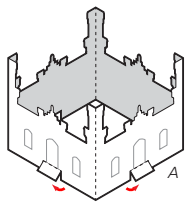


CHICAGO WATER TOWER

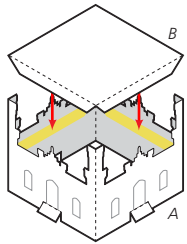
How to build the paper model featured in the book *American Landmarks: Miniature Models to Cut and Assemble* by Matt Bergstrom (©2012 Dover Publications, Inc.)



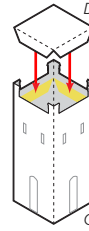
1

Cut out wall piece A. Score the dotted lines at the top of the three staircases on the back side of the paper (valley fold).

Fold and glue the ends of walls together to form a square, then fold out the three staircases.



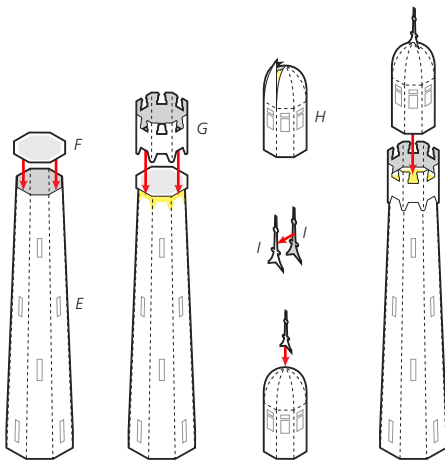
Cut out roof piece B and fold the tabs down. Glue the roof inside the wall piece A, so that the roof is a little lower than the top of the walls, making a little balcony railing around the top of the roof.



2

Cut out the middle wall piece C. Fold and glue it into a square.

Cut out middle roof D and fold the tabs down. Glue the roof inside wall piece C, so that the roof is a little lower than the top of the wall, making a balcony railing around the roof as you did in the previous step.



3

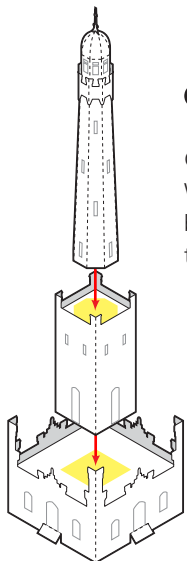
Cut out the long section of the tower E. Score and fold the dotted lines and glue to make an eight-sided cylinder. Cut out the octagonal piece F and glue to the top of the tower piece E.

Cut out battlement railing G and glue to make an eight-sided cylinder. Slide the battlement over the top of the tower to match the shaded area at the top of the tower. The battlement railings will stick up above the top of the tower.

Cut out the cupola piece H. Curl the triangular roof flaps of the cupola inward by bending the sections over a round pencil or dowel. Glue the cupola in the shape of an eight-sided cylinder. Put a small wad of tissue paper soaked with a bit of glue inside the cupola under the rooftop, then fold the roof flaps inward toward the center. Push the tissue paper inside the roof with a toothpick or stick to give the roof a round smooth shape.

If you'd like, you can cut out the tiny optional pieces I. Glue the two pieces back to back and then add to the top of the cupola after it is dry.

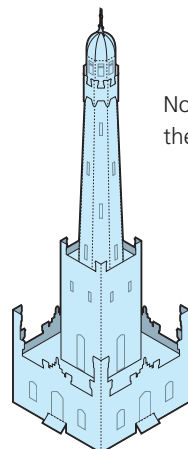
Glue the cupola to the top of the tower inside the battlement railing.



4

Glue the middle section of the Water Tower to the roof of the base, and then glue the tower to the roof of the middle section.

Now your paper model of the Water Tower is finished!



See other paper model kits in the book *American Landmarks: Miniature Models to Cut and Assemble*

ISBN 978-0486482811

